

# SHAD TERRA

ENGINEERED FOR RIDING

## TR37

X49,5 Y41,8 Z25,9 (cm)

D0TR37100

## TR48

X49,5 Y41,8 Z32,2 (cm)

D0TR48100



## USER GUIDE

[WWW.SHAD.ES](http://WWW.SHAD.ES)

Code: 501967 - edition: 1

# TERRA LOCK SYSTEM

PATENT PENDING

OPEN AND CLOSE

INTEGRATED CARRYING HANDLE

ASSEMBLY AND RELEASE

UNLOCK AND LOCK

**TR37 TR48**  
**WARNING!** 

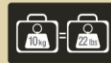
## CARE AND MAINTENANCE



URL: <http://ugr.to/g0yt>



1 M. MINIMUM DISTANCE WITH POWER WASHER.



MAXIMUM WEIGHT.



MAXIMUM SPEED, CHECK LOCAL LAWS.



ALWAYS SECURE AND LOCK PRODUCTS.



ONLY USE RECOMMENDED CLEANING PRODUCTS.



CASES ARE NOT DESIGNED TO PROTECT FRAGILE OBJECTS.

# ACCESORIES

## OPTIONAL BACKREST

TOP D0RI75



## OPTIONAL INNER BAG

INNER BAG  
TOP - SIDE X0IB47



SOLD SEPARATELY

## STANDARD PLATE

D1B481 PAR



## ONE KEY

One key  
For three cases



SOLD SEPARATELY

## ALUMINIUM PLATE

D1BTRPA

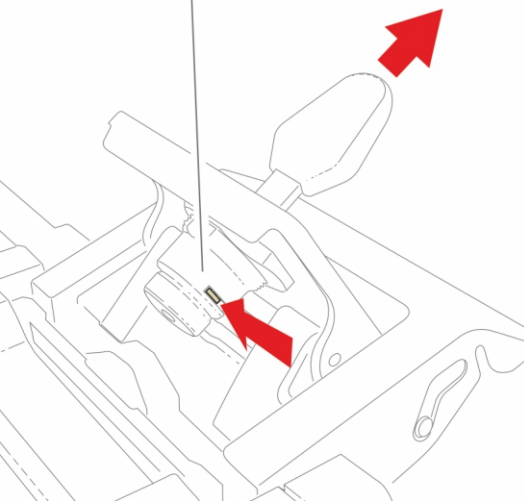
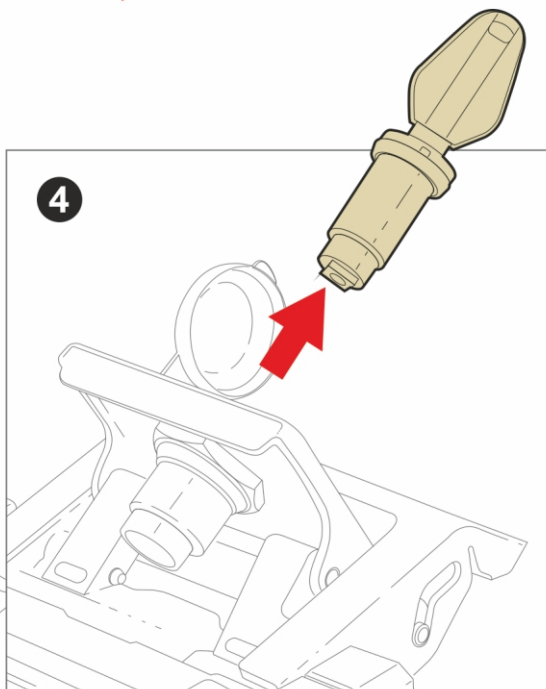
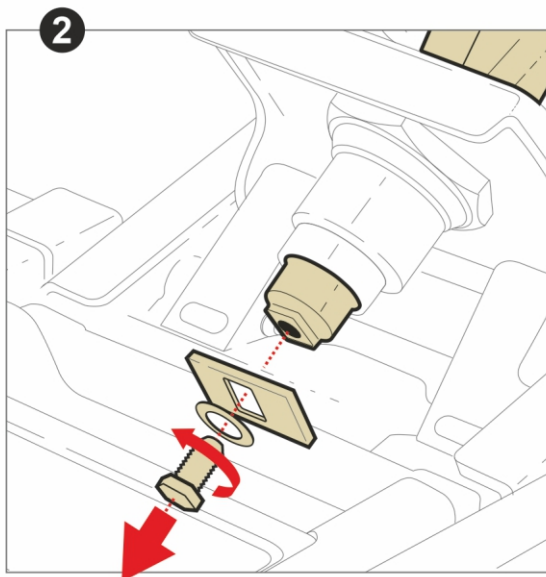
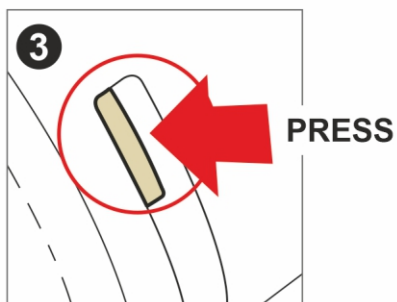
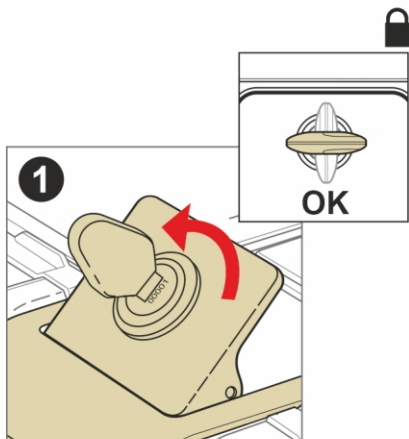


MORE INFO



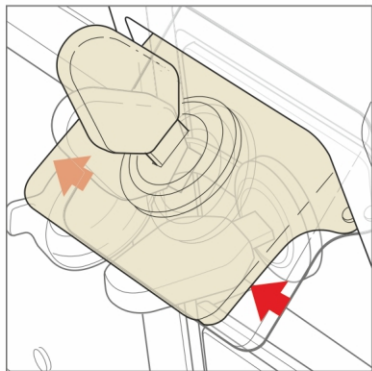
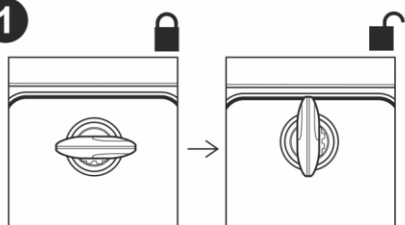
# LOCK REMOVAL

MORE INFO

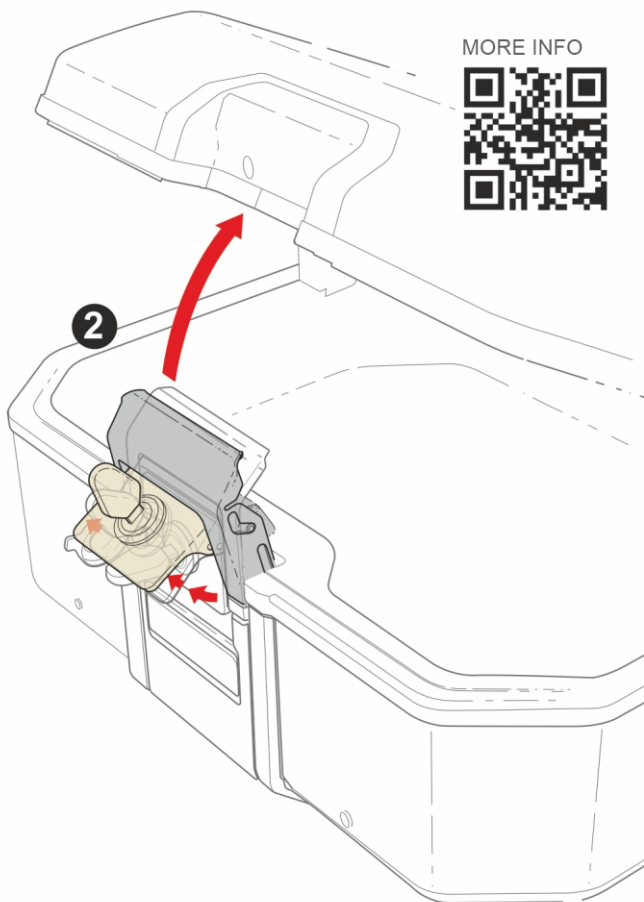


# OPEN

1



2

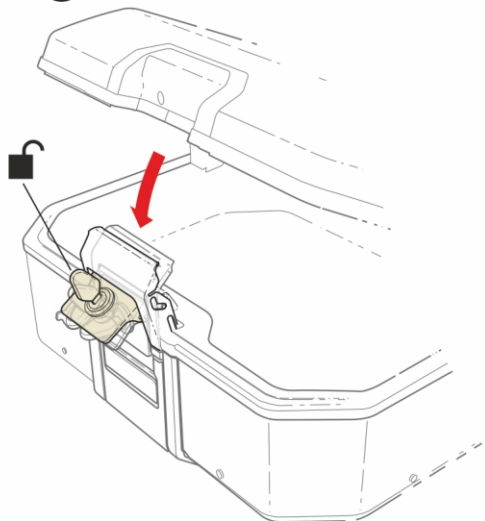


MORE INFO

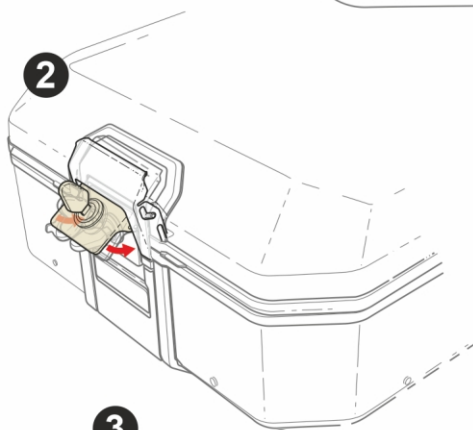


# CLOSE

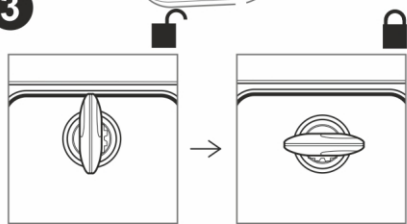
1



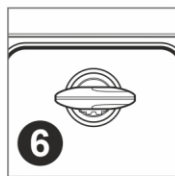
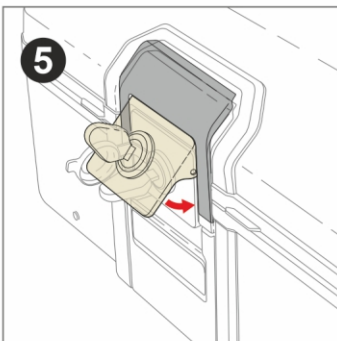
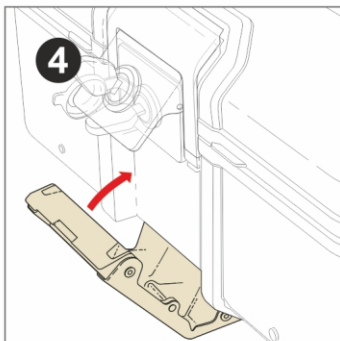
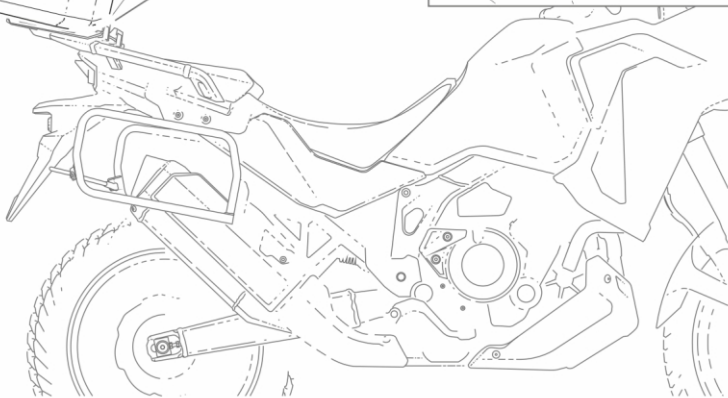
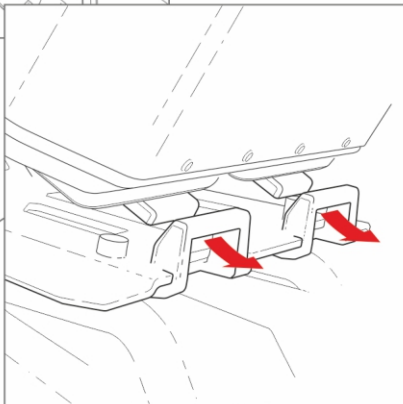
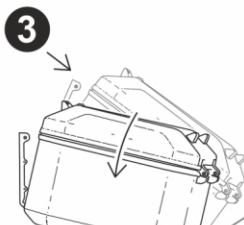
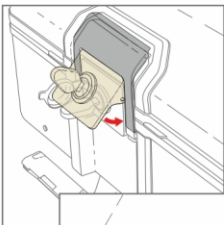
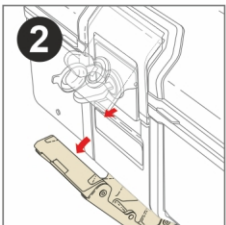
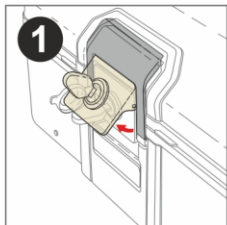
2



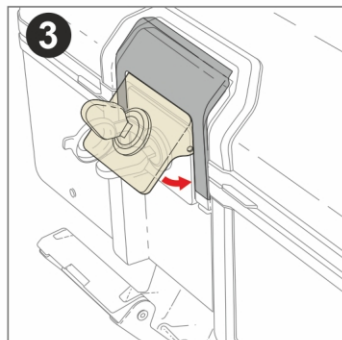
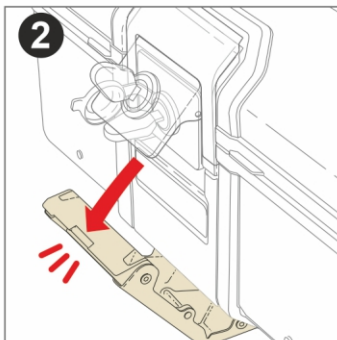
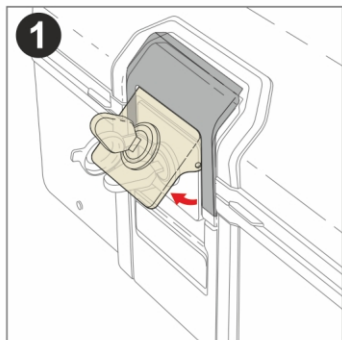
3



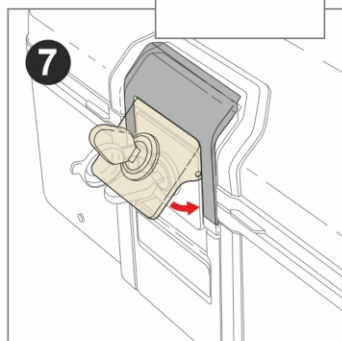
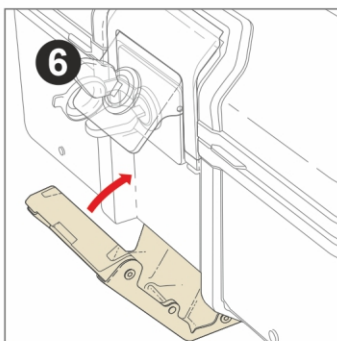
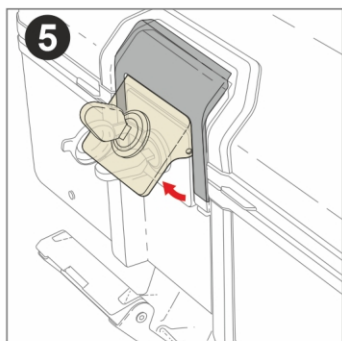
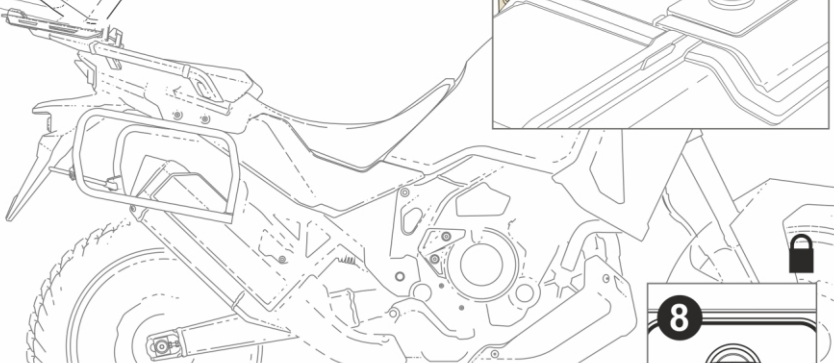
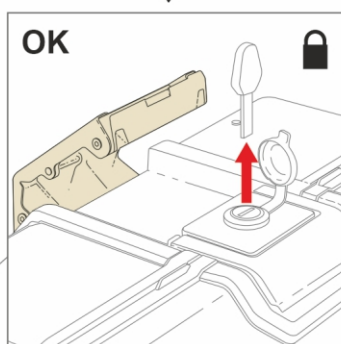
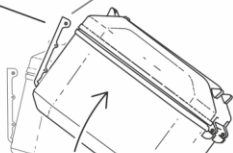
# ASSEMBLY



RELEASE



4 PULL







**300**  
trees planted  
in our SHAD forest



**WE ARE  
DOING  
GREEN**



**tree-nation**  
Tree-Nation is an open, collaborative platform to reforest the world.

AS PART OF THE TERRA DEVELOPMENT PROJECT, FROM SHAD WE HAVE ACQUIRED THE COMMITMENT TO FIGHT AGAINST CLIMATE CHANGE BY REFORESTATION.

Expand our SHAD forest  
**CAN YOU HELP US REFOREST?**  
JUST ENTER AND SEE HOW

**WWW.SHAD.ES**

