



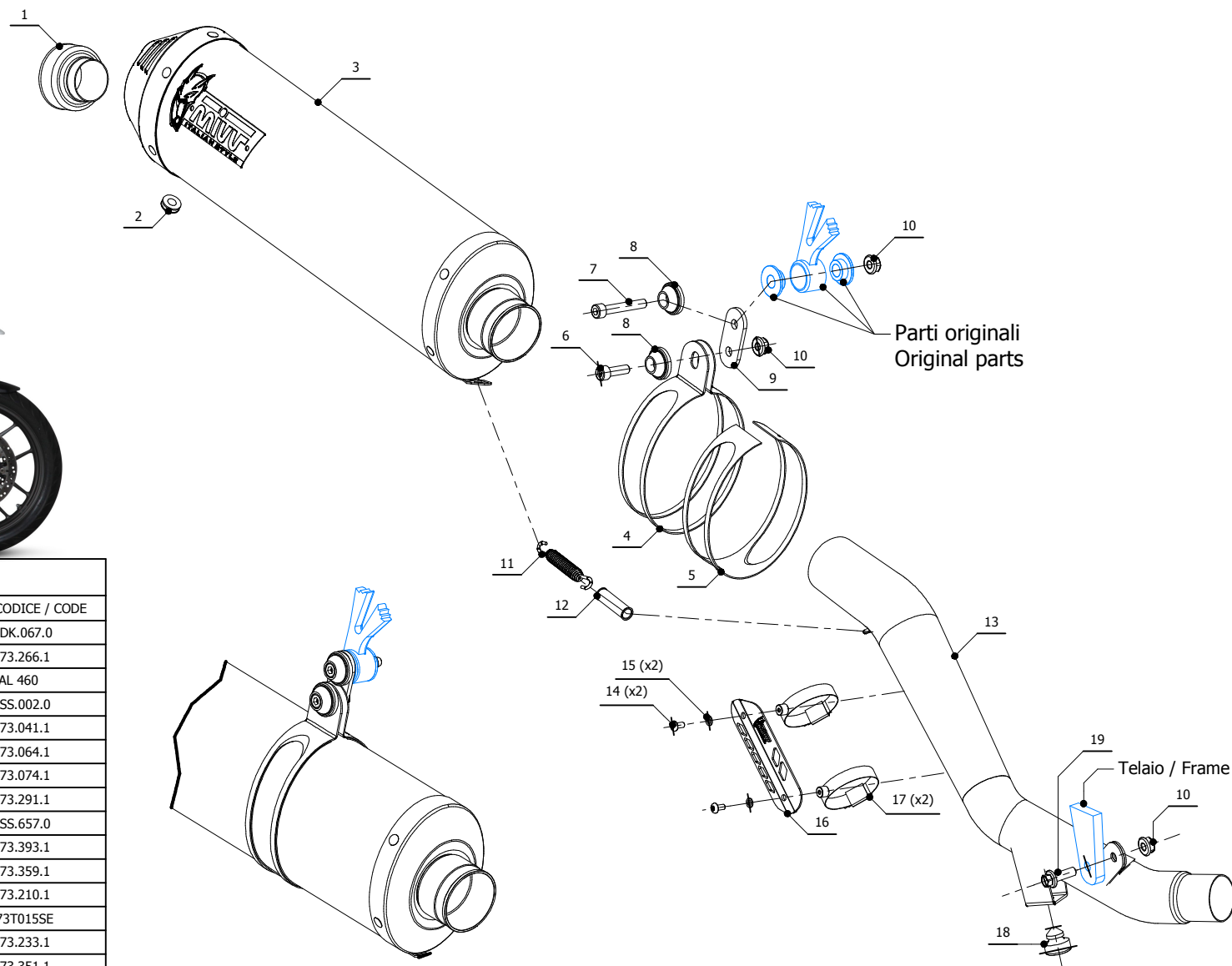
**MODEL** TRIUMPH TIGER 1200 EXPLORER

**YEAR** 2016 - 2020

**LINE** SLIP ON

**MUFFLER** OVAL CARBON CAP

**SCHEMATIC**



**ELENCO PARTI / PARTS LIST**

#	QTÀ / QTY	DESCRIZIONE / DESCRIPTION	CODICE / CODE
1	1	DB killer / DB killer	50.DK.067.0
2	1	Tappo in gomma / Rubber stopper	50.73.266.1
3	1	Silenziatore / Muffler	OVAL 460
4	1	Staffa / Bracket	50.SS.002.0
5	1	Protezione in gomma per staffa / Rubber protection for bracket	50.73.041.1
6	1	Vite M8x25 / Screw M8x25	50.73.064.1
7	1	Vite M8x50 / Screw M8x50	50.73.074.1
8	2	Rondella alluminio / Aluminium washer	50.73.291.1
9	1	Staffa / Bracket	50.SS.657.0
10	3	Dado M8 flangiato / Flanged nut M8	50.73.393.1
11	1	Molla media / Mid-size spring	50.73.359.1
12	1	Tubo in gomma per molla / Rubber pipe for spring	50.73.210.1
13	1	Tubo di raccordo / Link pipe	9773T015SE
14	2	Vite M5 x 8 / Screw M5 x 8	50.73.233.1
15	2	Rondella M5 / Washer M5	50.73.351.1
16	1	Copertura in alluminio / Aluminium cover	50.CR.012.0
17	2	Fascetta con bussola / Pipe clamp with bush	50.73.795.0
18	1	Gommino paracolpi / Rubber buffer	50.72.010.1
19	1	Vite M8x25 / Screw M8x25	50.73.599.1

**APPLICAZIONI / APPLICATIONS**

CODICE / CODE	SILENZIATORE / MUFFLER	TUBO / PIPE	FASCETTA / CLAMP
T.015.LNC	TITANIO (COPPA CARBONIO) / TITANIUM (CARBON CAP)	INOX / ST.STEEL	INOX / ST.STEEL
T.015.LVC	STEEL BLACK (CARBON CAP)		