



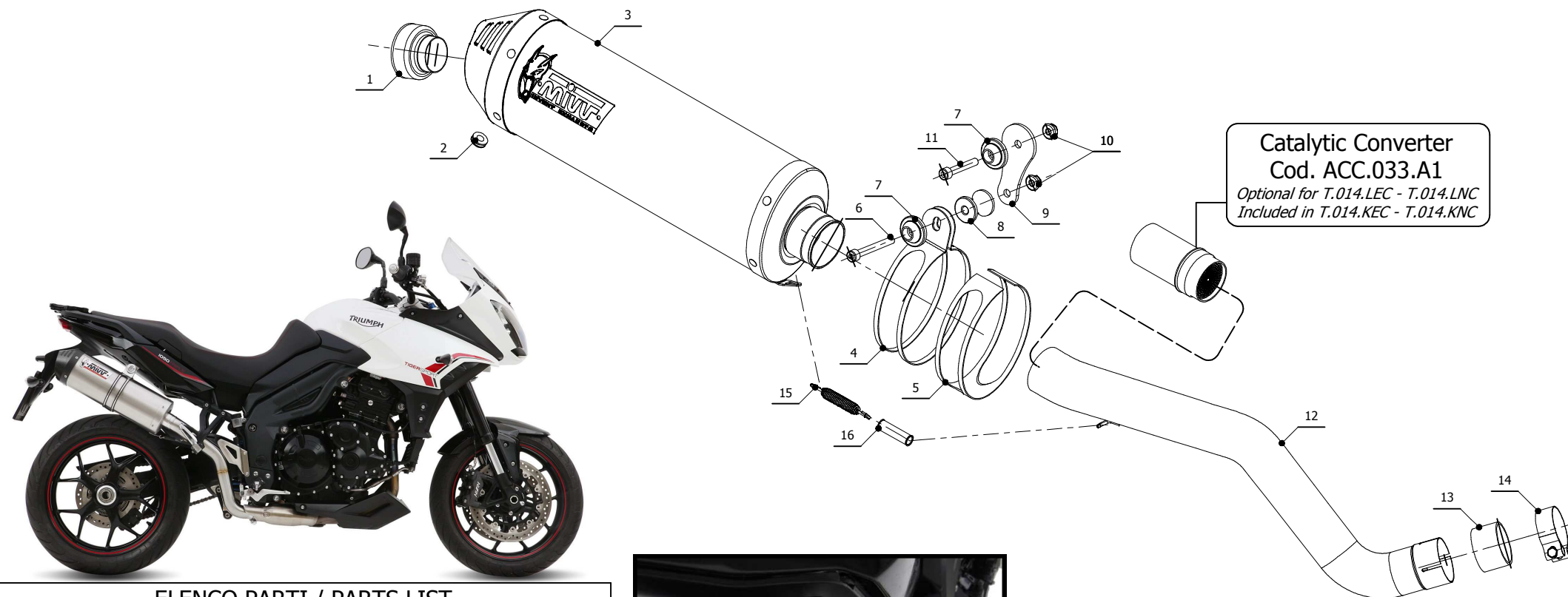
MODEL TRIUMPH TIGER 1050 SPORT

YEAR 2013 - 2015

LINE SLIP ON

MUFFLER OVAL CARBON CAP

SCHEMATIC



ELENCO PARTI / PARTS LIST

| # | QTÀ / QTY | DESCRIZIONE / DESCRIPTION | CODICE / CODE |
|----|-----------|---|-----------------|
| 1 | 1 | DB killer / DB killer | 50.DK.067.0 |
| 2 | 1 | Tappo in gomma / Rubber stopper | 50.73.266.1 |
| 3 | 1 | Silenziatore / Muffler | OVAL CARBON CAP |
| 4 | 1 | Staffa / Bracket | 50.SS.002.0 |
| 5 | 1 | Protezione in gomma per staffa / Rubber protection for bracket | 50.73.041.1 |
| 6 | 1 | Vite M8x65 / Screw M8x65 | 50.73.603.1 |
| 7 | 2 | Rondella in alluminio / Aluminium washer | 50.73.063.1 |
| 8 | 1 | Distanziale in alluminio / Aluminium spacer (Øe.30 Øi.8,5 h.35) | 50.SS.053.1 |
| 9 | 1 | Staffa / Bracket | 50.SS.750.0 |
| 10 | 2 | Dado M8 flangiato / Flanged nut M8 | 50.73.393.1 |
| 11 | 1 | Vite M8x50 / Screw M8x50 | 50.73.074.1 |
| 12 | 1 | Tubo di raccordo / Link Pipe | 9773T014SE |
| 13 | 1 | Guarnizione in grafite / Graphite bush | 50.72.45.50.30 |
| 14 | 1 | Fascetta Ø 48/51 mm / Pipe clamp Ø 48/51 mm | 50.FA.007.1 |
| 15 | 1 | Molla media / Middle spring | 50.73.359.1 |
| 16 | 1 | Tubo in gomma per molla / Rubber pipe for spring | 50.73.210.1 |



APPLICAZIONI / APPLICATIONS

| CODICE / CODE | TUBO / PIPE | SILENZIATORE / MUFFLER | FASCETTA / CLAMP | NOTE |
|------------------------|-----------------|---|------------------|-------------------------------------|
| T.014.LEC T.014.LNC | INOX / ST.STEEL | CARBONIO (COPPA CARBONIO) / CARBON (CARBON CAP) TITANIO (COPPA CARBONIO) / TITANIUM (CARBON CAP) | INOX / ST.STEEL | CATALYTIC CONVERTER NOT INCLUDED |
| T.014.KEC T.014.KNC | INOX / ST.STEEL | CARBONIO (COPPA CARBONIO) / CARBON (CARBON CAP) TITANIO (COPPA CARBONIO) / TITANIUM (CARBON CAP) | INOX / ST.STEEL | CATALYTIC CONVERTER INCLUDED |