



MODEL TRIUMPH SPEED TRIPLE

YEAR 2005 - 2006

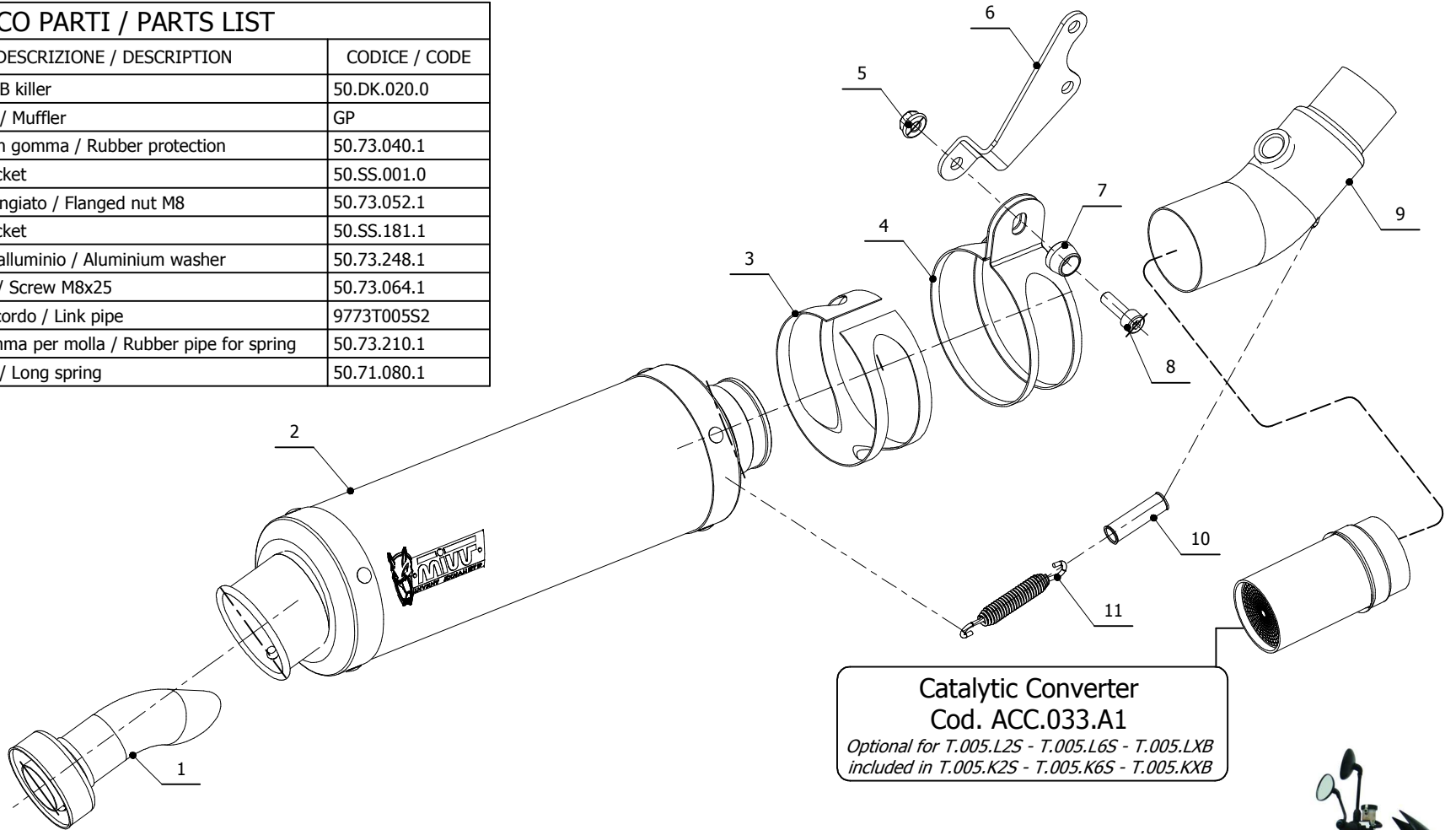
LINE SLIP ON

MUFFLER GP

SCHEMATIC

ELENCO PARTI / PARTS LIST

#	QTÀ / QTY	DESCRIZIONE / DESCRIPTION	CODICE / CODE
1	1	DB killer / DB killer	50.DK.020.0
2	1	Silenziatore / Muffler	GP
3	1	Protezione in gomma / Rubber protection	50.73.040.1
4	1	Staffa / Bracket	50.SS.001.0
5	1	Dado M8 flangiato / Flanged nut M8	50.73.052.1
6	1	Staffa / Bracket	50.SS.181.1
7	1	Rondella in alluminio / Aluminium washer	50.73.248.1
8	1	Vite M8x25 / Screw M8x25	50.73.064.1
9	1	Tubo di raccordo / Link pipe	9773T005S2
10	1	Tubo in gomma per molla / Rubber pipe for spring	50.73.210.1
11	1	Molla lunga / Long spring	50.71.080.1



Catalytic Converter
Cod. ACC.033.A1
Optional for T.005.L2S - T.005.L6S - T.005.LXB
included in T.005.K2S - T.005.K6S - T.005.KXB

APPLICAZIONI / APPLICATIONS

CODICE / CODE	SILENZIATORE / MUFFLER	TUBO / PIPE	FASCETTA / CLAMP	NOTE
T.005.L2S T.005.L6S T.005.LXB	CARBONIO / CARBON FIBER TITANIO / TITANIUM STEEL BLACK	INOX / ST. STEEL	INOX / ST. STEEL	CATALYTIC CONVERTER NOT INCLUDED
T.005.K2S T.005.K6S T.005.KXB	CARBONIO / CARBON FIBER TITANIO / TITANIUM STEEL BLACK	INOX / ST. STEEL	INOX / ST. STEEL	CATALYTIC CONVERTER INCLUDED

