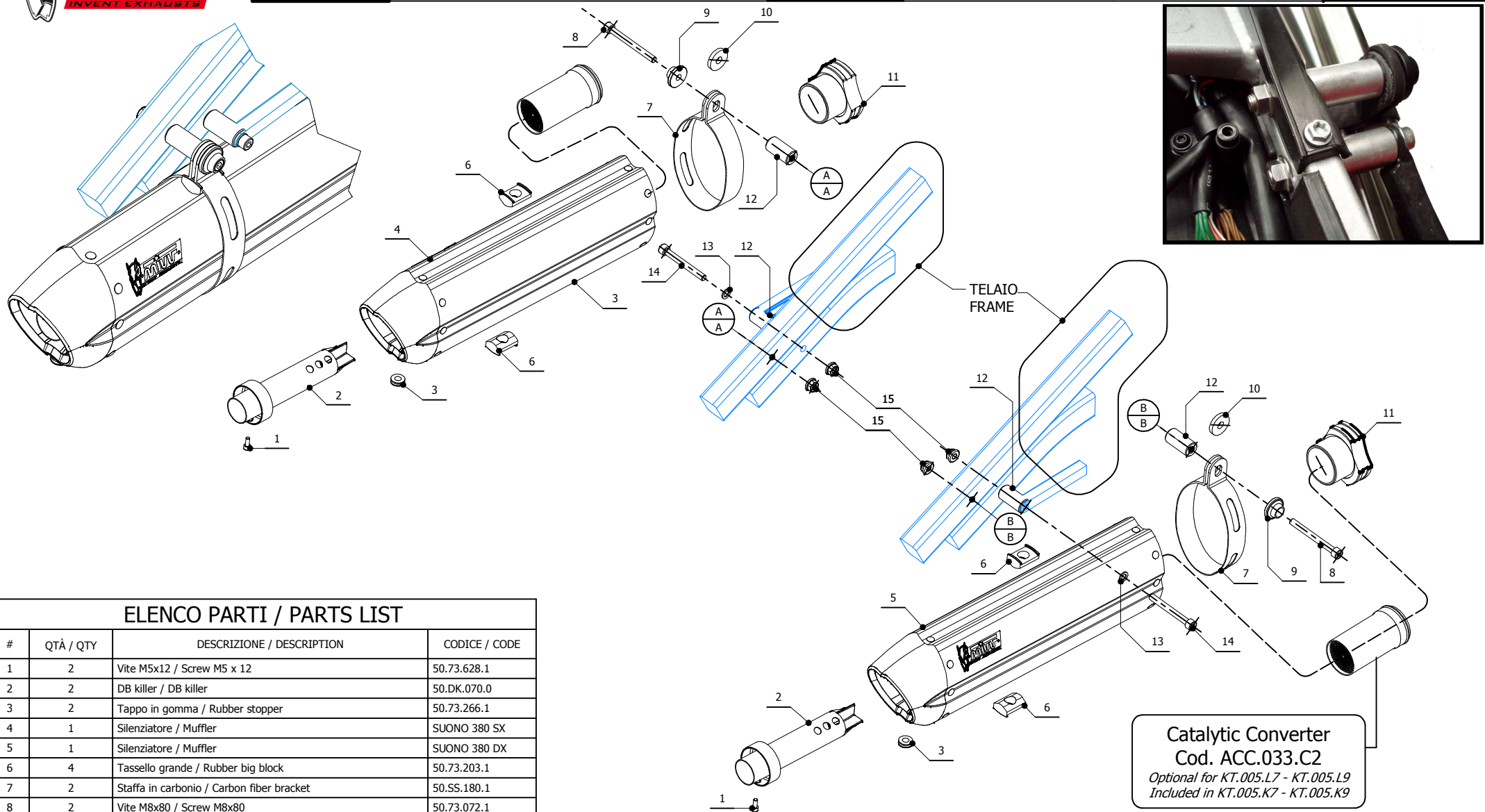




MODEL KTM 990 SUPERMOTO R
KTM LC8 950 SUPERMOTO R
LINE BOLT ON

YEAR 2007 - 2013
2005 - 2006
MUFFLER SUONO

SCHEMATIC



ELENCO PARTI / PARTS LIST

#	QTÀ / QTY	DESCRIZIONE / DESCRIPTION	CODICE / CODE
1	2	Vite M5x12 / Screw M5 x 12	50.73.628.1
2	2	DB killer / DB killer	50.DK.070.0
3	2	Tappo in gomma / Rubber stopper	50.73.266.1
4	1	Silenziatore / Muffler	SUONO 380 SX
5	1	Silenziatore / Muffler	SUONO 380 DX
6	4	Tassello grande / Rubber big block	50.73.203.1
7	2	Staffa in carbonio / Carbon fiber bracket	50.SS.180.1
8	2	Vite M8x80 / Screw M8x80	50.73.072.1
9	2	Rondella in alluminio nera / Black aluminium washer	50.73.221.1
10	2	Rondella in gomma / Rubber washer	50.73.227.1
11	2	Flangia in alluminio / Aluminium flange	50.73.254.1
12	4	Distanziale in alluminio / Aluminium spacer (Øe.20 Øi.8,5 h.40)	50.SS.074.1
13	2	Rondella M8 / Washer M8	50.73.270.1
14	2	Vite M8x70 / Screw M8x70	50.73.086.1
15	4	Dado M8 flangiato / Flanged nut M8	50.73.052.1

APPLICAZIONI / APPLICATIONS

CODICE / CODE	SILENZIATORE / MUFFLER	TUBO / PIPE	FASCETTA / CLAMP	NOTE
KT.005.L7 KT.005.L9	INOX (COPPE CARBONIO) / ST. STEEL (CARBON CAPS) STEEL BLACK	///	CARBONIO / CARBON FIBER	CATALYTIC CONVERTER NOT INCLUDED
KT.005.K7 KT.005.K9	INOX (COPPE CARBONIO) / ST. STEEL (CARBON CAPS) STEEL BLACK	///	CARBONIO / CARBON FIBER	CATALYTIC CONVERTER INCLUDED